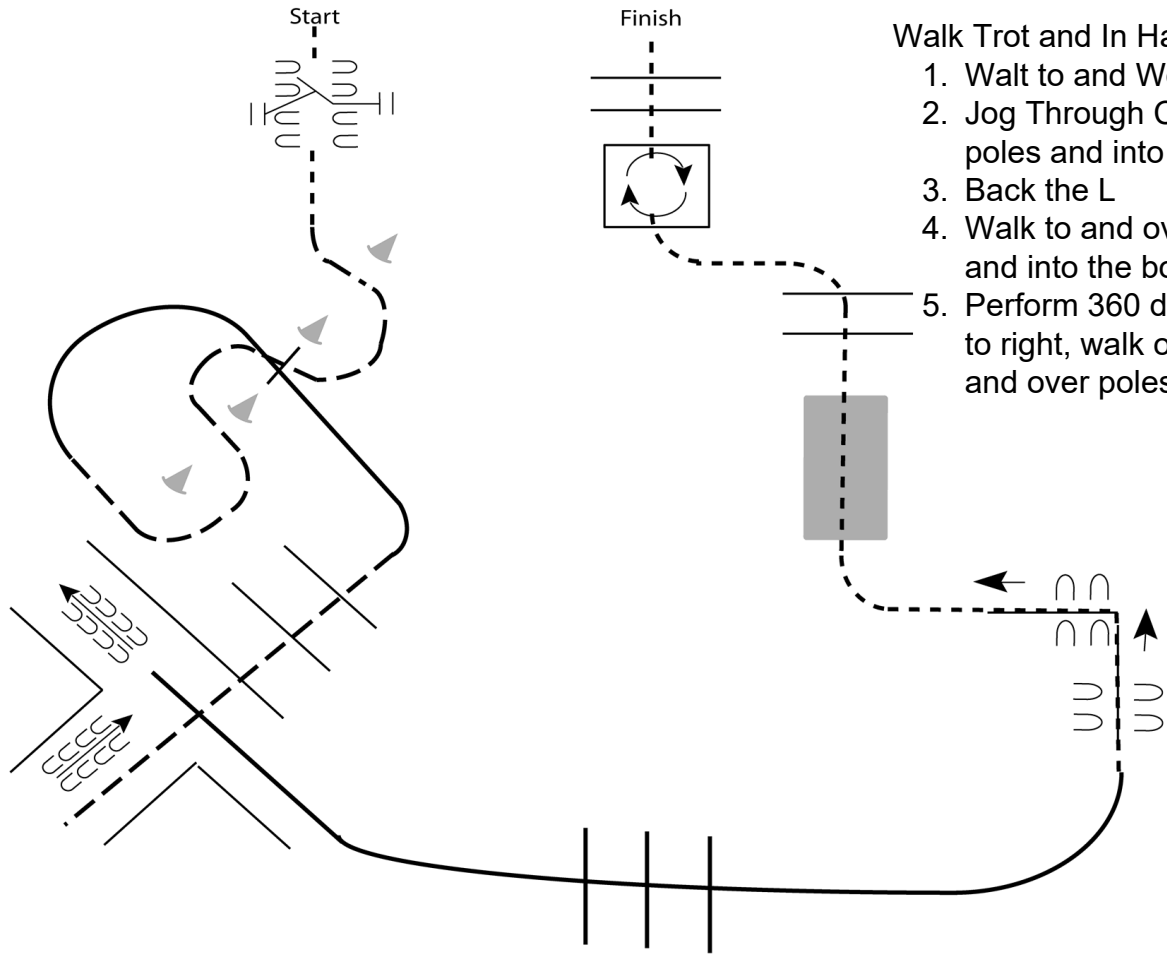


AHF 2024

Group A - All Ages Trail

Show Date:



Walk Trot and In Hand Trail:

1. Walk to and Work Gate
2. Jog Through Cones, over poles and into chute
3. Back the L
4. Walk to and over bridge and into the box
5. Perform 360 degree turn to right, walk out of box and over poles to finish.

Begin at Start.

1. Walk to and work gate.
2. Jog through cones.
3. Lope right lead to poles.
4. Jog over poles into chute.
5. Back the L.
6. Lope left lead over poles.
7. Side pass left over poles.
8. Walk over bridge, poles and into box.
9. Perform a 360 degree turn to the right, walk out of box and over poles to finish.

Walk	-----
Jog	-----
Extended Jog	-----
Lope	—————
Leg Yield	
Lead Change	—/—
Back	←←← ←←←
Marker	Ⓚ
Sidepass	←-----→

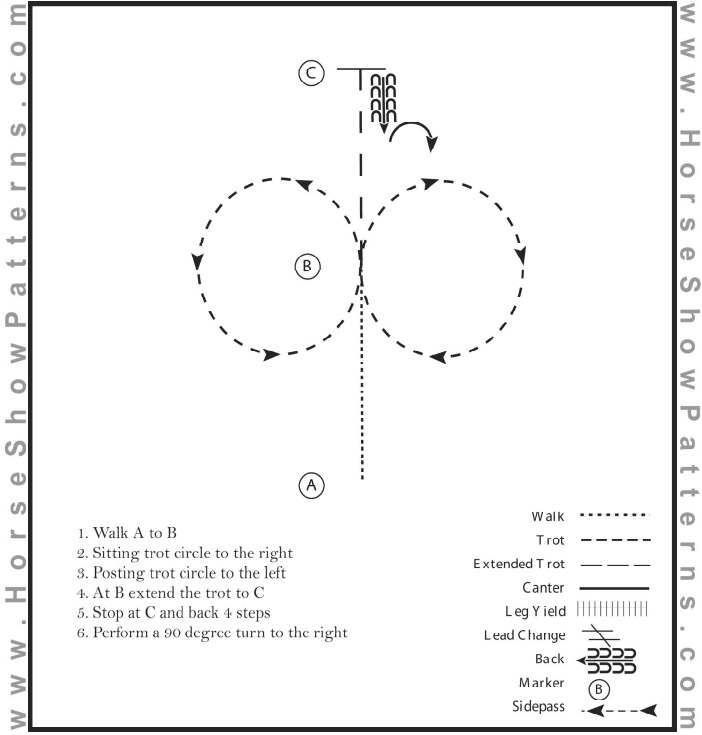
[T/2-3]

Pattern Provided by:

AHF 2024

Group A - Walk Trot Eq.

Show Date:



Pattern Provided by:

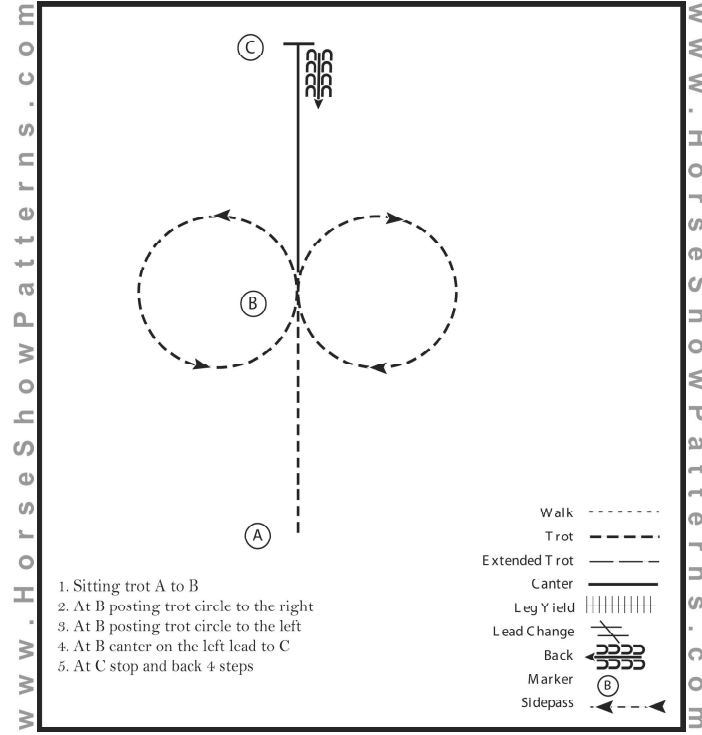
[HSE/WT-1]

©2024 HorseShowPatterns.com. All Rights Reserved.

AHF 2024

Group A - 13 and under Eq.

Show Date:



Pattern Provided by:

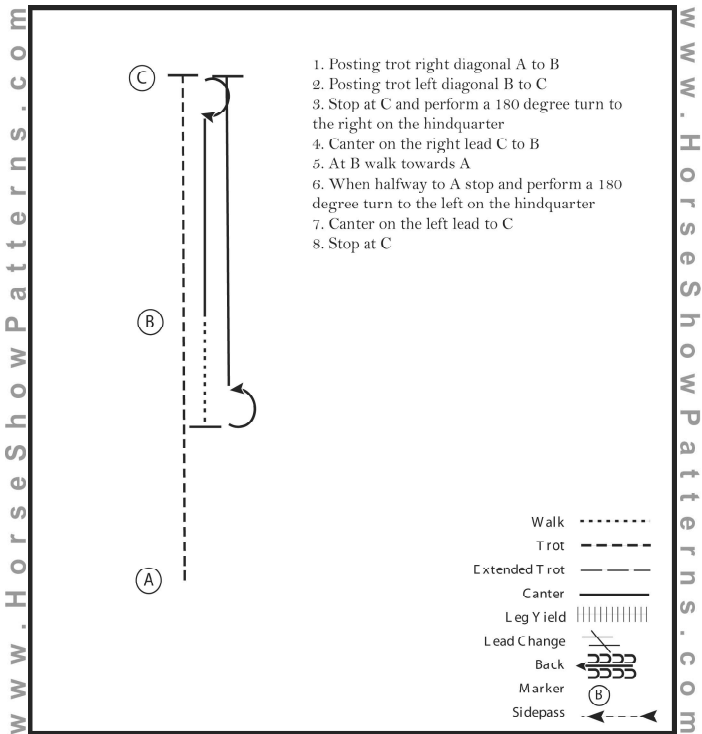
[HSE/1-6]

©2024 HorseShowPatterns.com. All Rights Reserved.

AHF 2024

Group A - 14 and over Eq.

Show Date:



Pattern Provided by:

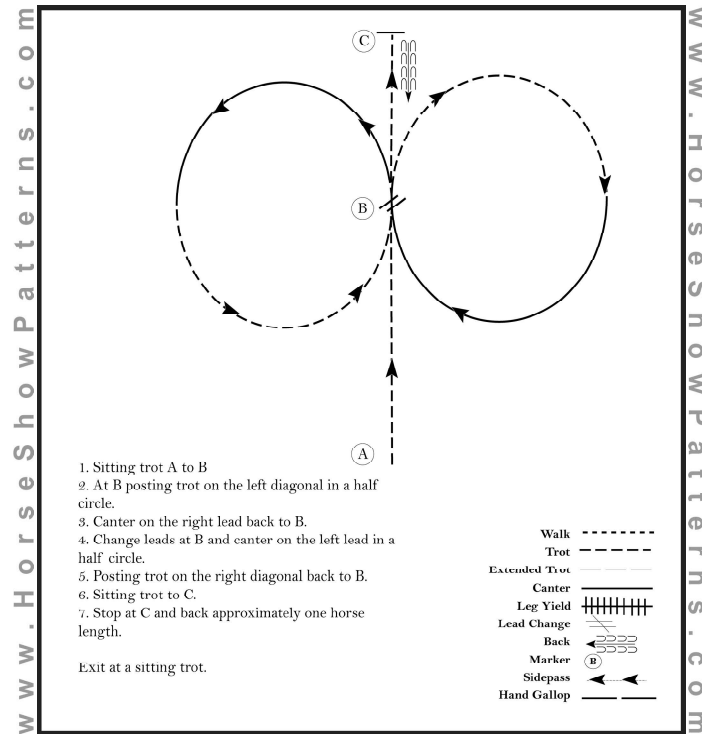
[HSE/3-6]

©2024 HorseShowPatterns.com. All Rights Reserved.

AHF 2024

Group A - Open Eq.

Show Date:



Pattern Provided by:

[HSE/3-21]

©2024 HorseShowPatterns.com. All Rights Reserved.

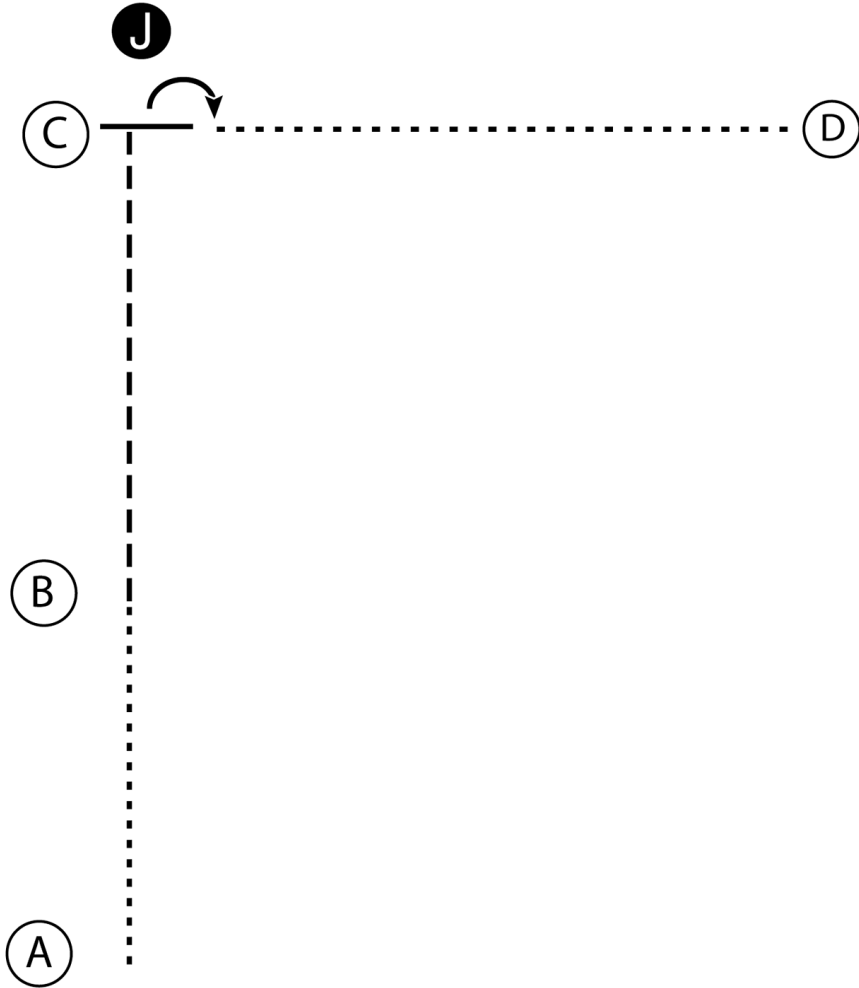
AHF 2024

Group A - Showmanship All Ages


Show Date:

w w w . H o r s e S h o w P a t t e r n s . c o m

w w w . H o r s e S h o w P a t t e r n s . c o m



1. Walk from A to B.
2. Trot from B to C.
3. Stop at C and set up for inspection.
4. When dismissed perform a 90 degree turn.
5. Walk to D.

Walk
Trot - - - - -
Back ← 
Marker (B)
Judge (J)

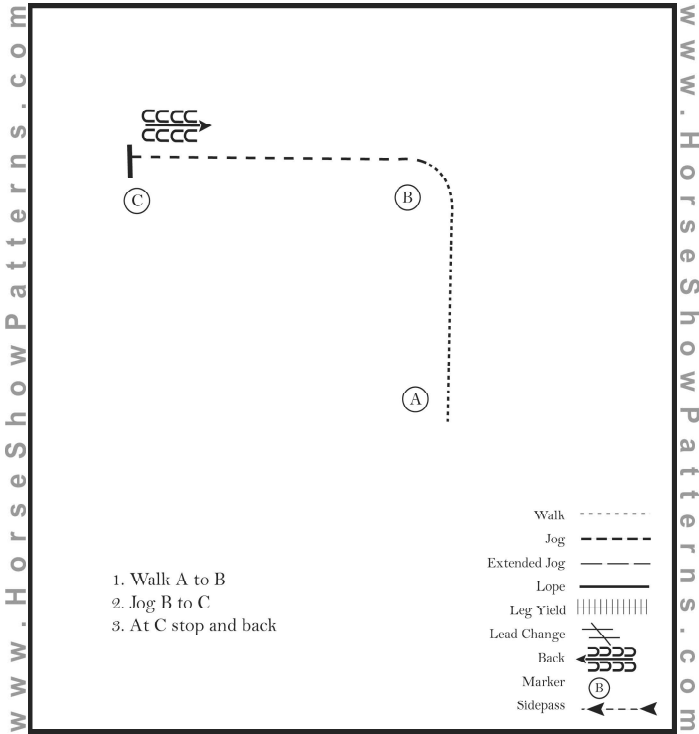
[S/1-4]

Pattern Provided by:

AHF 2024

Group A - Walk Trot Horsemanship

Show Date:



1. Walk A to B
2. Jog B to C
3. At C stop and back

Pattern Provided by:

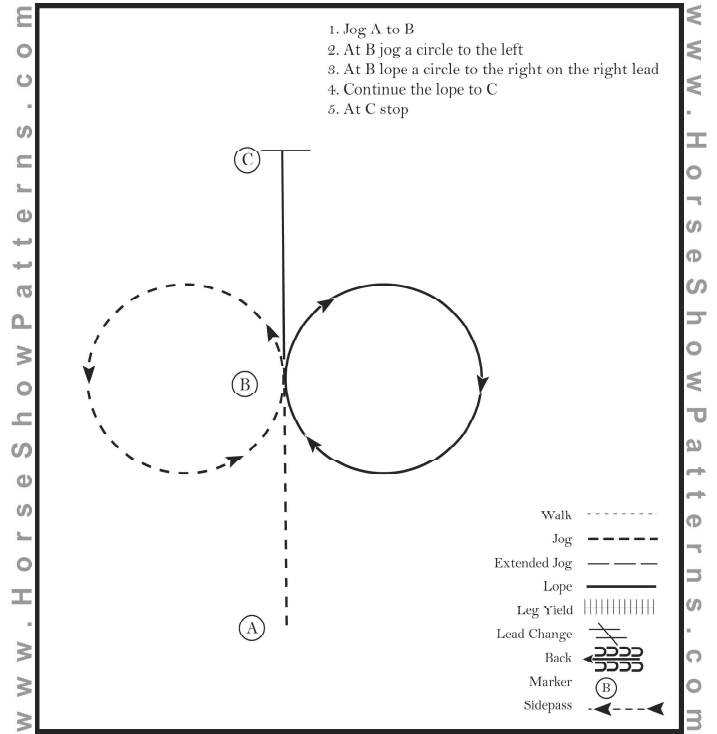
[WH/WT-4]

©2024 HorseShowPatterns.com. All Rights Reserved.

AHF 2024

Group A - 13 and under Horsemanship

Show Date:



1. Jog A to B
2. At B jog a circle to the left
3. At B lope a circle to the right on the right lead
4. Continue the lope to C
5. At C stop

Pattern Provided by:

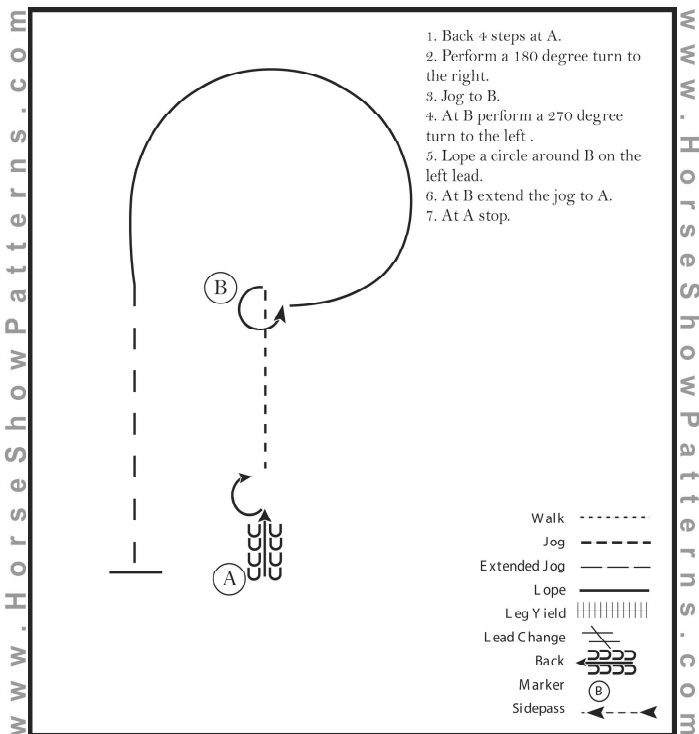
[WH/1-9]

©2024 HorseShowPatterns.com. All Rights Reserved.

AHF 2024

Group A - 14 and over Horsemanship

Show Date:



1. Back 4 steps at A.
2. Perform a 180 degree turn to the right.
3. Jog to B.
4. At B perform a 270 degree turn to the left.
5. Lope a circle around B on the left lead.
6. At B extend the jog to A.
7. At A stop.

Pattern Provided by:

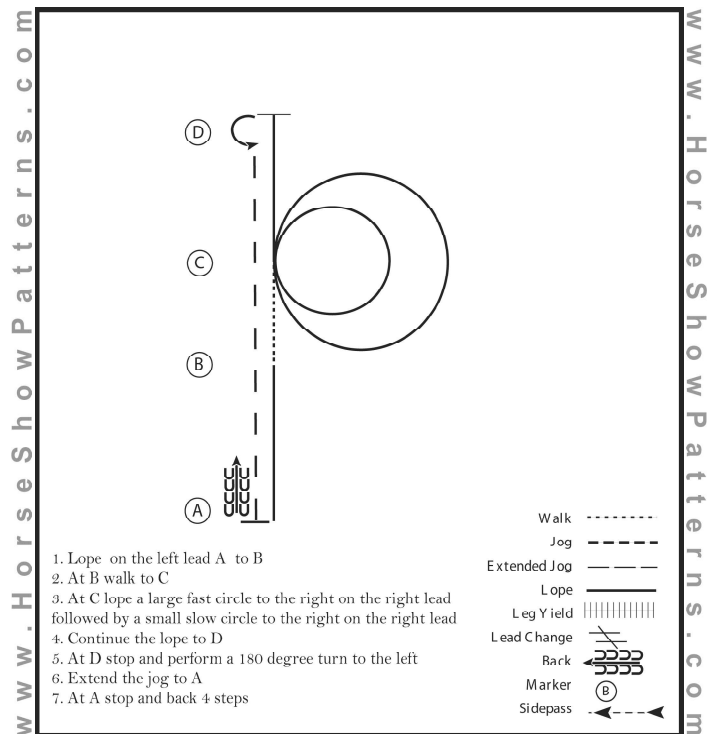
[WH/2-8]

©2024 HorseShowPatterns.com. All Rights Reserved.

AHF 2024

Group A - Open Horsemanship

Show Date:



1. Lope on the left lead A to B
2. At B walk to C
3. At C lope a large fast circle to the right on the right lead followed by a small slow circle to the right on the right lead
4. Continue the lope to D
5. At D stop and perform a 180 degree turn to the left
6. Extend the jog to A
7. At A stop and back 4 steps

Pattern Provided by:

[WH/3-7]

©2024 HorseShowPatterns.com. All Rights Reserved.

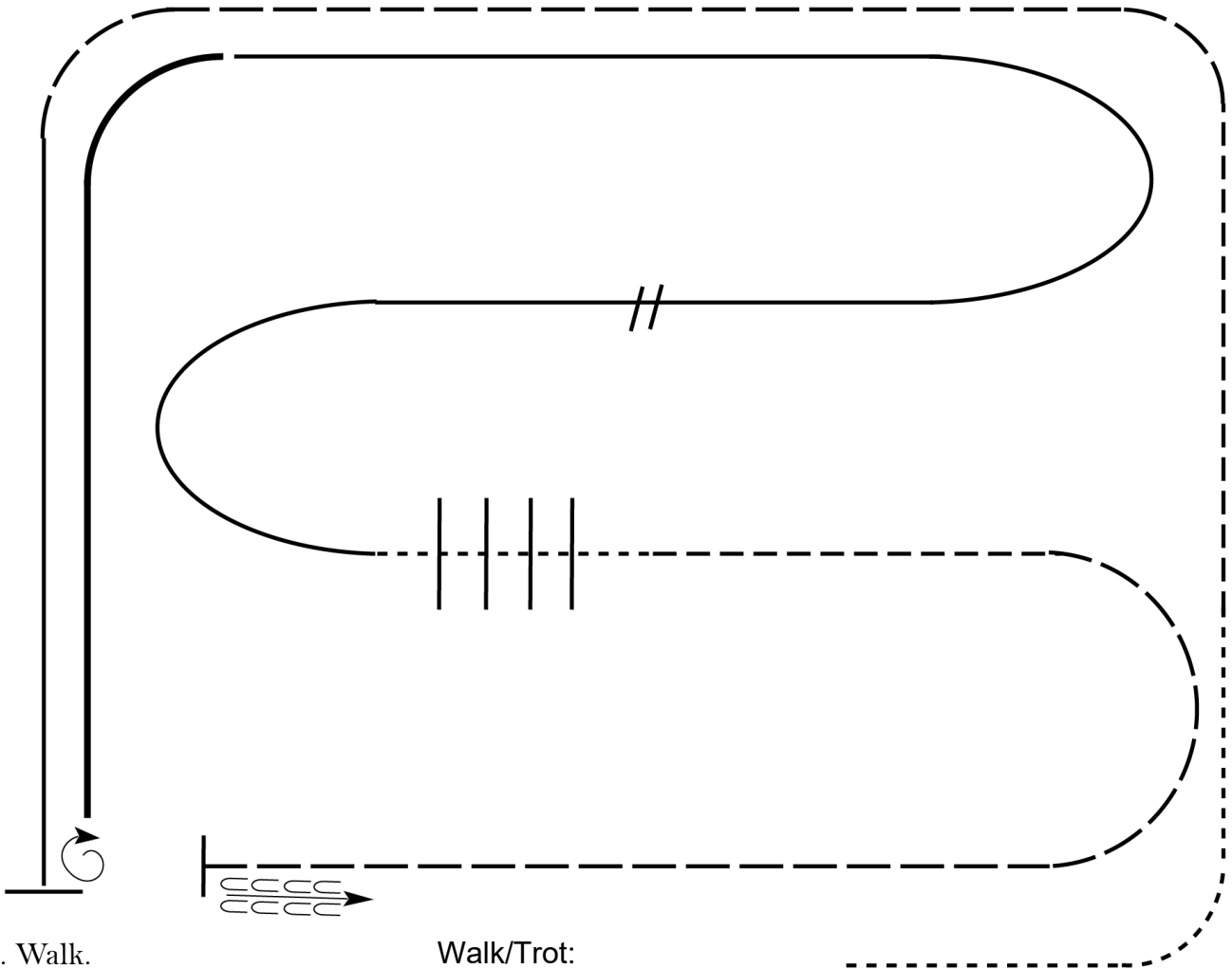
AHF 2024

Group A - All Ages Ranch Riding

Show Date:

www.HorseShowPatterns.com

www.HorseShowPatterns.com



1. Walk.
2. Trot
3. Extended trot.
4. Left lead lope
5. Stop, 1 1/2 turn right
6. Extended lope
7. Collect to working lope-right lead
8. Change leads (simple or flying)
9. Walk
10. Walk over logs
11. Trot
12. Extended trot
13. Stop and back

Walk/Trot:
 * Trot in place of canter
 * Perform a 1/2 turn to right instead of 1 1/2 turn.

- Walk
- Jog
- Extended Jog
- Lope
- Lead Change
- Back
- Marker

[RR/2]

Pattern Provided by: